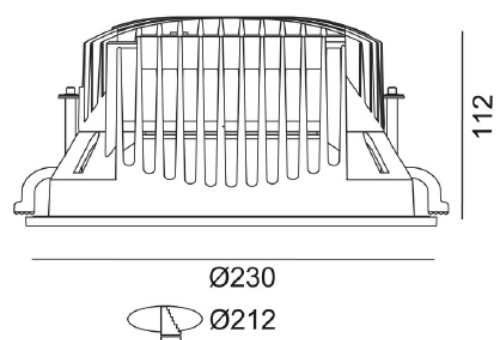


## TECHNISCHE VERLICHTING

### DOWNLIGHTERS

BEAM 0404



### TECHNISCHE GEGEVENS

|                   |                          |
|-------------------|--------------------------|
| Benaming          | Beam 0404                |
| Kleur toestel     | Wit                      |
| Diameter x hoogte | Ø 230 x 112mm            |
| Zaagmaat          | Ø 212mm                  |
| Klasse            | LED                      |
| Richtbaar         | Nee                      |
| Dimbaar           | Niet dimbaar of DALI DIM |
| Vermogen          | 20W / 28W / 42W / 53W    |
| Voltage           | 220-240V 50-60Hz         |
| Lichtkleur        | 3000K of 4000K           |
| CRI               | >90                      |
| Stralingshoek     | 37° of 88°               |
| IP                | 20                       |
| Energielabel      | A++                      |

### PRODUCTEIGENSCHAPPEN

- o Geen infrarood- en geen UV straling
- o Module : Philips Fortimo SLM LED
- o LIFUD driver
- o Optioneel : Noodunit
- o Kleurconsistentie : 3 SDCM
- o Levensduur : L70/B50 bij 50.000u



## TECHNISCHE VERLICHTING

### DOWNLIGHTERS

### BEAM 0404

| BENAMING       | WATTAGE | KELVIN | LUMEN | CRI | HOEK | DIMBAAR | ARMATUUR KLEUR |
|----------------|---------|--------|-------|-----|------|---------|----------------|
| BEAM 0404.3211 | 20W     | 3000K  | 1750  | 90  | 37°  | /       | Wit            |
| BEAM 0404.3212 | 20W     | 3000K  | 1750  | 90  | 88°  | /       | Wit            |
| BEAM 0404.7211 | 20W     | 4000K  | 1870  | 90  | 37°  | /       | Wit            |
| BEAM 0404.7212 | 20W     | 4000K  | 1870  | 90  | 88°  | /       | Wit            |
| BEAM 0404.3311 | 28W     | 3000K  | 2300  | 90  | 37°  | /       | Wit            |
| BEAM 0404.3312 | 28W     | 3000K  | 2300  | 90  | 88°  | /       | Wit            |
| BEAM 0404.7311 | 28W     | 4000K  | 2450  | 90  | 37°  | /       | Wit            |
| BEAM 0404.7312 | 28W     | 4000K  | 2450  | 90  | 88°  | /       | Wit            |
| BEAM 0404.3411 | 42W     | 3000K  | 2990  | 90  | 37°  | /       | Wit            |
| BEAM 0404.3412 | 42W     | 3000K  | 2990  | 90  | 88°  | /       | Wit            |
| BEAM 0404.7411 | 42W     | 4000K  | 3620  | 90  | 37°  | /       | Wit            |
| BEAM 0404.7412 | 42W     | 4000K  | 3620  | 90  | 88°  | /       | Wit            |
| BEAM 0404.3431 | 53W     | 3000K  | 3900  | 90  | 37°  | DALI    | Wit            |
| BEAM 0404.3432 | 53W     | 3000K  | 3900  | 90  | 88°  | DALI    | Wit            |
| BEAM 0404.7431 | 53W     | 4000K  | 4280  | 90  | 37°  | DALI    | Wit            |
| BEAM 0404.7432 | 53W     | 4000K  | 4280  | 90  | 88°  | DALI    | Wit            |